



SD 1300 U/N

Features:

- # Base station antenna, Omnidirectional
- # Unity-gain
- # Extremely wide-band suitable for scanner use
- # Transmission capability in several Ham bands
- # Perfect protection against the worst weather conditions
- # Stainless steel hardware and radials
- # Equipped with anodized aluminium bracket for an easy side mast installation
- # 17/7 PH stainless steel cylindrical whip

Specifications

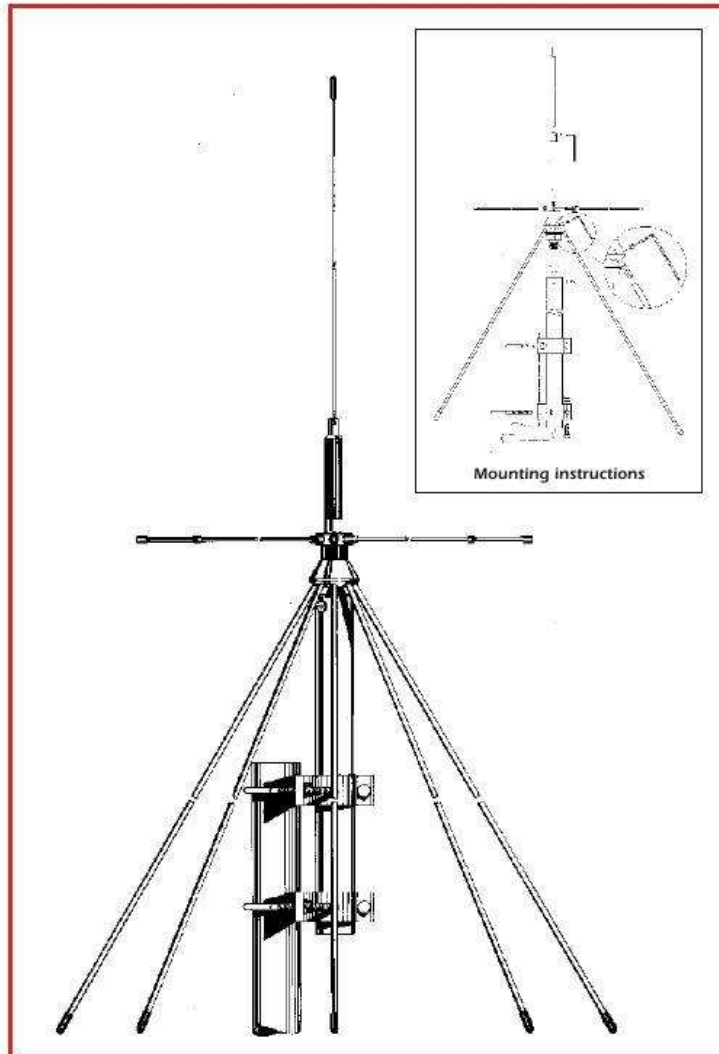
Electrical Data

Type	Discone
Frequency Range:	
RX band	25-1300 MHz
TX band (at V.S.W.R. \leq 2:1)	49.5-50.5, 120-180 .. 215-300, 415-465, 610-650, 710-1000, 1130-1300 MHz
Impedance	50 Ω Unbalanced
Radiation (H-plane)	360° Omnidirectional
Radiation (E-plane) ..	Frequency dependent, see the pattern
Polarization	Vertical
Gain	0 dBd - 2.15 dBi at lowest frequency
Bandwidth at V.S.W.R. 2:1	See the measure
V.S.W.R. at res. freq.	See the measure
Max Power	VHF 300 Watts, UHF 200 Watts
Feed System / Position	Direct / Center
Connection	
SD 1300 U	UHF-Female
SD 1300 N	N-Female

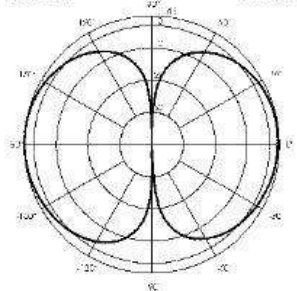
Mechanical Data

Materials	Stainless Steel, Chromed Brass, Nylon
Wind Load / Resistance	66 N at 150 Km/h / 130 Km/h
Wind Surface	0.06 m ²
Height (approx.)	1600 mm
Weight (approx.)	1140 gr
Cone Radial length	810 mm
Mounting Mast	\varnothing 25-54 mm

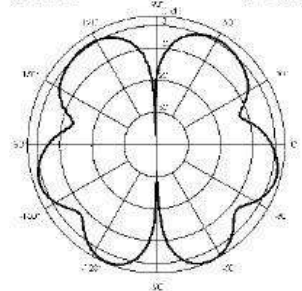
code 2105405.00 SD 1300 U
code 2105505.00 SD 1300 N



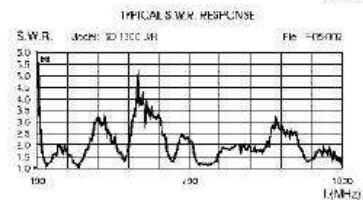
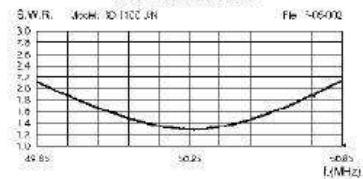
TYPICAL RADIATION PATTERN in E-plane of 145 MHz
Plot: E.06.005



TYPICAL RADIATION PATTERN in E-plane of 437 MHz
Plot: E.06.005



TYPICAL S.W.R. RESPONSE



SD 2000 U/N

Features:

- # Base station antenna, Omnidirectional
- # Unity-gain
- # Extremely wide-band suitable for scanner use
- # Transmission capability in several Ham bands
- # Perfect protection against the worst weather conditions
- # Stainless steel hardware and radials
- # Equipped with anodized aluminium bracket for an easy side mast installation
- # 17/7 PH stainless steel spring whip

Specifications

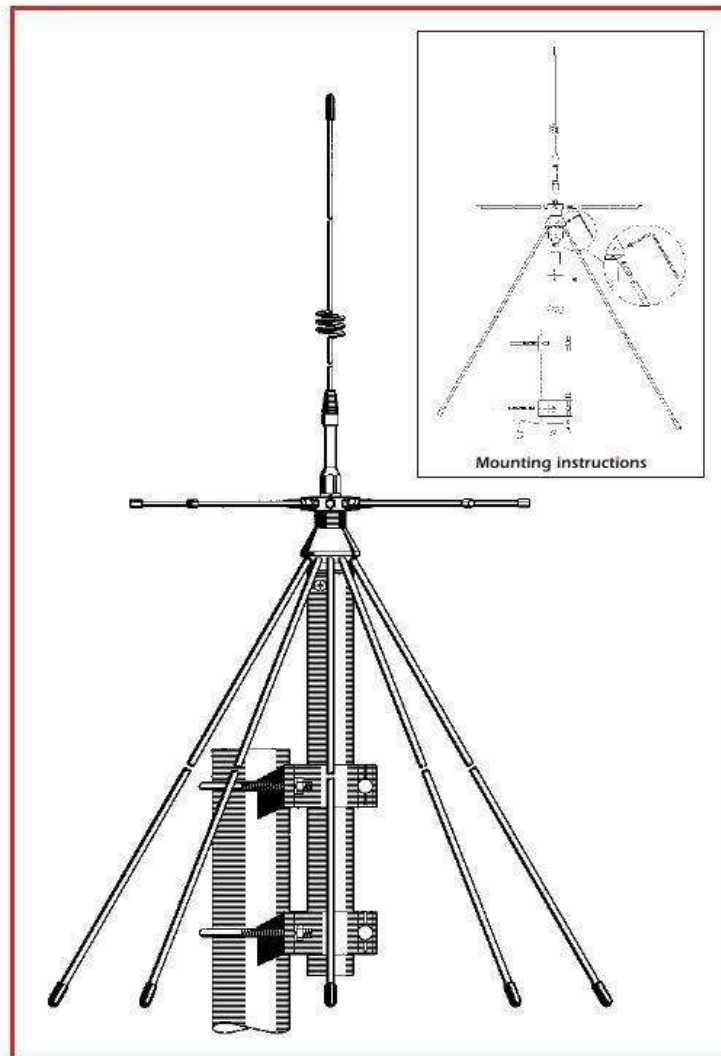
Electrical Data

Type	Discone
Frequency Range:	
RX band	100-2000 MHz
TX band (at V.S.W.R. ≤ 2:1)	130-160, 215-440, 610-685
.....	870-960, 1070-1500, 1620-1800, 1860-2000 MHz
Impedance	50 Ω Unbalanced
Radiation (H-plane)	360° Omnidirectional
Radiation (E-plane)	Frequency dependent, see the pattern
Polarization	Vertical
Gain	0 dBd - 2.15 dBi at lowest frequency
Bandwidth at V.S.W.R. 2:1	See the measure
V.S.W.R. at res. freq.	See the measure
Max Power	200 Watts
Feed System / Position	Direct / Center
Connection	
SD 2000 U	UHF-Female
SD 2000 N	N-Female

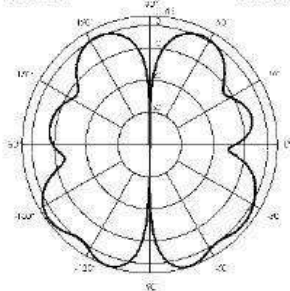
Mechanical Data

Materials	Stainless Steel, Chromed Brass, Nylon
Wind Load / Resistance	44 N at 150 Km/h / 150 Km/h
Wind Surface	0.04 m ²
Height (approx.)	900 mm
Weight (approx.)	1020 gr
Cone Radial length	550 mm
Mounting Mast	∅ 25-54 mm

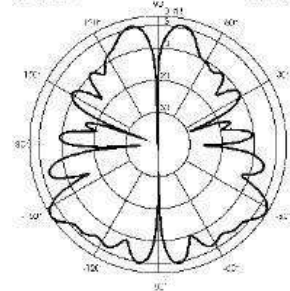
code 2109005.00 SD 2000 U
code 2109105.00 SD 2000 N



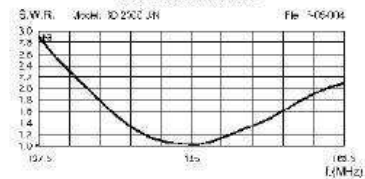
TYPICAL RADIATION PATTERN in E-plane of 915 MHz
Tit: 1.05 dB
Scale: near



TYPICAL RADIATION PATTERN in E-plane of 1800 MHz
Tit: 1.05 dB
Scale: near



TYPICAL S.W.R. RESPONSE



TYPICAL S.W.R. RESPONSE





SD 3000 U/N

Features:

- # Base station antenna, Omnidirectional
- # Unity-gain
- # Extremely wide-band suitable for scanner use
- # Transmission capability in several Ham bands
- # Perfect protection against the worst weather conditions
- # Stainless steel hardware and radials
- # Equipped with anodized aluminium bracket for an easy side mast installation
- # 17/7 PH stainless steel spring whip

Specifications

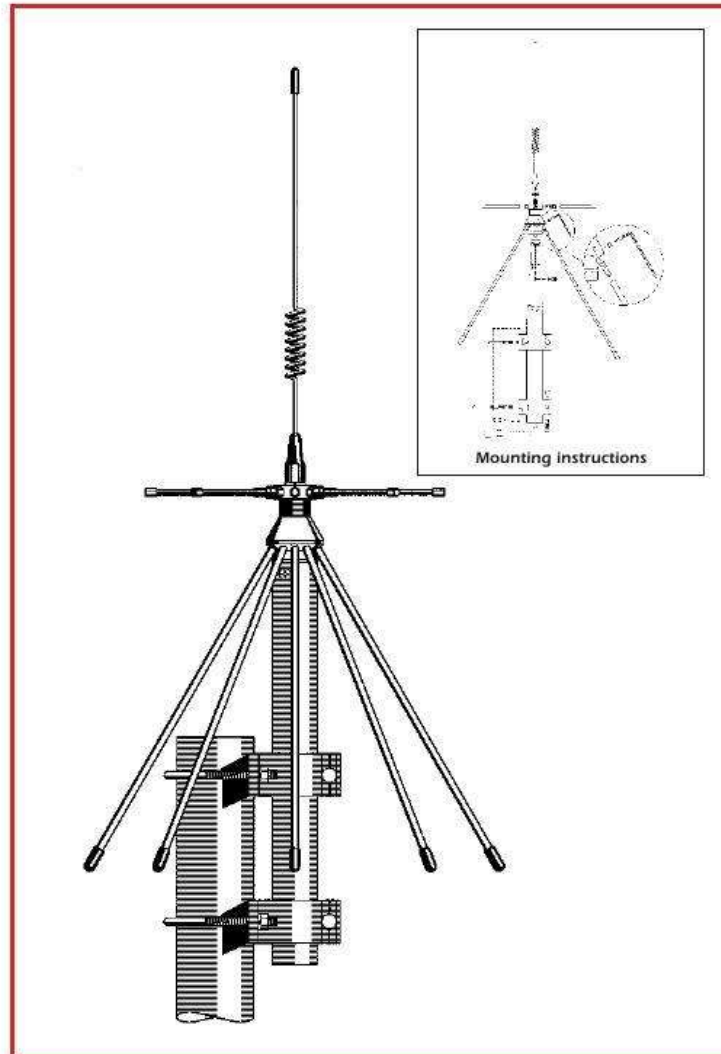
Electrical Data

Type	Discone
Frequency Range:	
RX band	300-3000 MHz
TX band (at V.S.W.R. \leq 2:1)	340-535, 545-960
.....	1180-1380, 1660-1910, 1980-3000 MHz
Impedance	50 Ω Unbalanced
Radiation (H-plane)	360° Omnidirectional
Radiation (E-plane) ..	Frequency dependent, see the pattern
Radiation angle deg. . .	Frequency dependent, see the pattern
Polarization	Vertical
Gain	0 dBd - 2.15 dBi
Bandwidth at V.S.W.R. 2:1	See the measure
V.S.W.R. at res. freq.	See the measure
Max Power	200 Watts
Feed System / Position	Direct / Center
Connection	
SD 3000 U	UHF-Female
SD 3000 N	N-Female

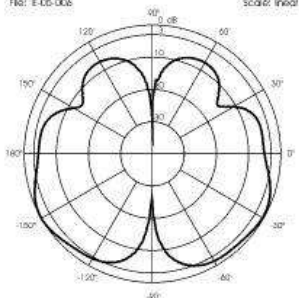
Mechanical Data

Materials	Stainless Steel, Chromed Brass, Nylon
Wind Load / Resistance	32 N at 150 Km/h / 150 Km/h
Wind Surface	0.03 m ²
Height (approx.)	725 mm
Weight (approx.)	830 gr
Cone Radial length	270 mm
Mounting Mast	\varnothing 25-54 mm

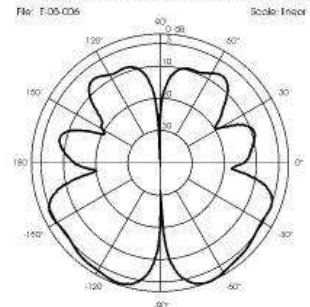
code 2109205.00 SD 3000 U
code 2109305.00 SD 3000 N



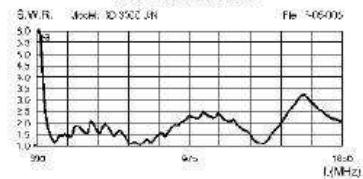
TYPICAL RADIATION PATTERN in E-plane at 915 MHz
File: E-05-006 Scale: linear



TYPICAL RADIATION PATTERN in E-plane at 1800 MHz
File: E-05-006 Scale: linear



TYPICAL S.W.R. RESPONSE



TYPICAL S.W.R. RESPONSE

