

SA 270 SN

Features:

- # Base station antenna, Omnidirectional
- # Dual-band
- # VHF Low-gain, UHF Medium-gain
- # Protection from static discharges DC-Ground
- # Stainless steel hardware and radials
- # Equipped with anodized aluminium bracket for an easy side mast installation
- # High quality whip made of brass and copper protected by fiberglass tube

Specifications

Electrical Data

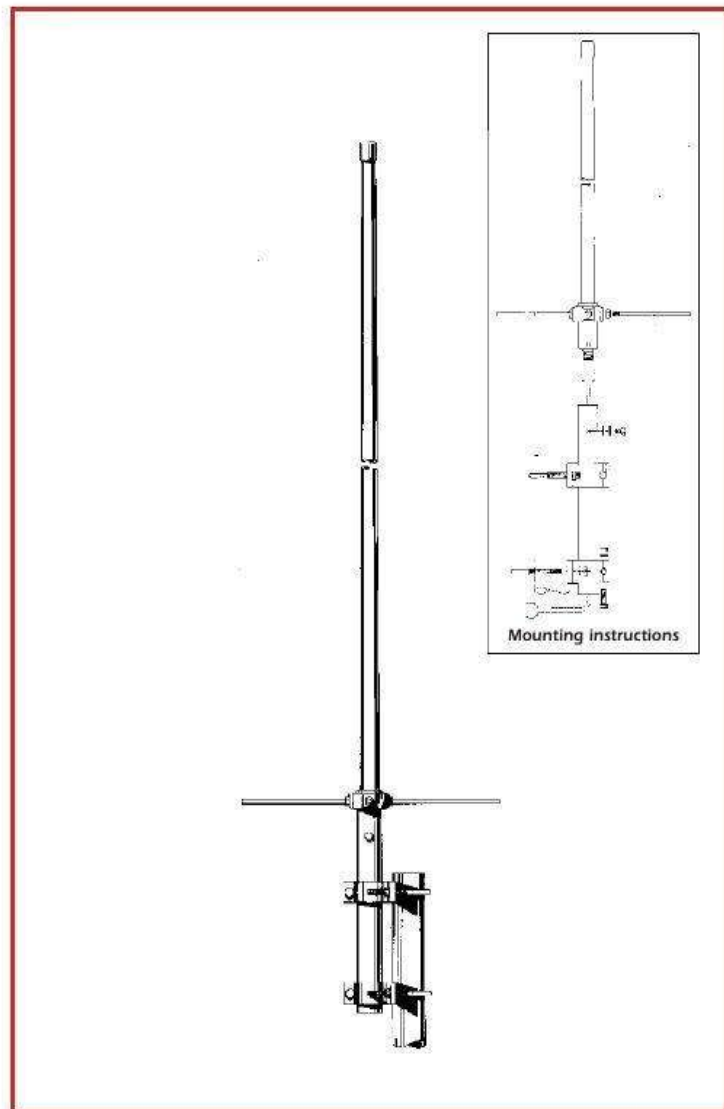
Type	VHF 1/2 λ, UHF 2 x 5/8 λ Colinear
Design frequency	
VHF	145 MHz
UHF	435 MHz
Impedance	50 Ω Unbalanced
Radiation (H-plane)	360° Omnidirectional
Radiation (E-plane)	
VHF	Beamwidth at -3 dB = 68°
UHF	Beamwidth at -3 dB = 36°
Radiation angle deg.	0°
Polarization	Vertical
Gain	
VHF	1 dBd - 3.15 dBi
UHF	3.3 dBd - 5.45 dBi
Bandwidth at V.S.W.R. 2:1	
VHF	5.5 MHz
UHF	17.2 MHz
V.S.W.R. at res. freq.	≤ 1.2 - 1
Max Power	200 Watts
Feed System / Position	Transformer DC-ground/ Base
Connection	N-Female Gold Plated

Mechanical Data

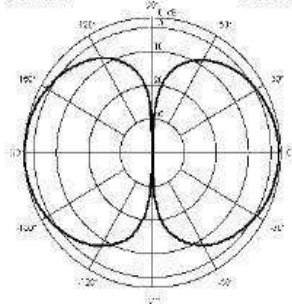
Materials	Glass Fibre, Aluminium, Stainless Steel, Brass
Wind Load / Resistance	37 N at 150 Km/h / 200 Km/h
Wind Surface	0.03 m ²
Height (approx.)	1325 mm
Weight (approx.)	810 gr
Radial length	170 mm
Mounting Mast	∅ 35-54 mm

code **2106420.00**

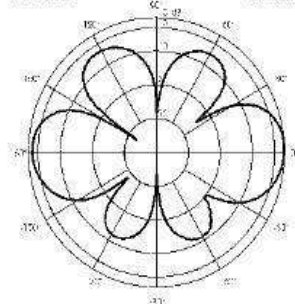
SA 270 SN is available for USA ham band (146 & 445 MHz)



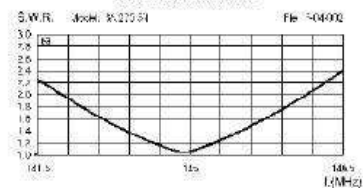
TYPICAL RADIATION PATTERN in E-plane of 145 MHz
Tol: 0.005 Scale: linear



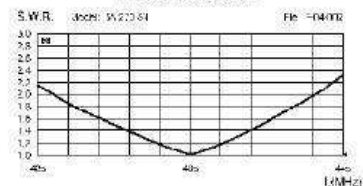
TYPICAL RADIATION PATTERN in E-plane of 435 MHz
Tol: 0.005 Scale: linear



TYPICAL S.W.R. RESPONSE



TYPICAL S.W.R. RESPONSE



SA 270 MN

Features:

- # Base station antenna, Omnidirectional
- # Dual-band
- # VHF Low-gain, UHF High-gain
- # Protection from static discharges DC-Ground
- # Stainless steel hardware and radials
- # Equipped with anodized aluminium bracket for an easy side mast installation
- # High quality whip made of brass and copper protected by fiberglass tube

Specifications

Electrical Data

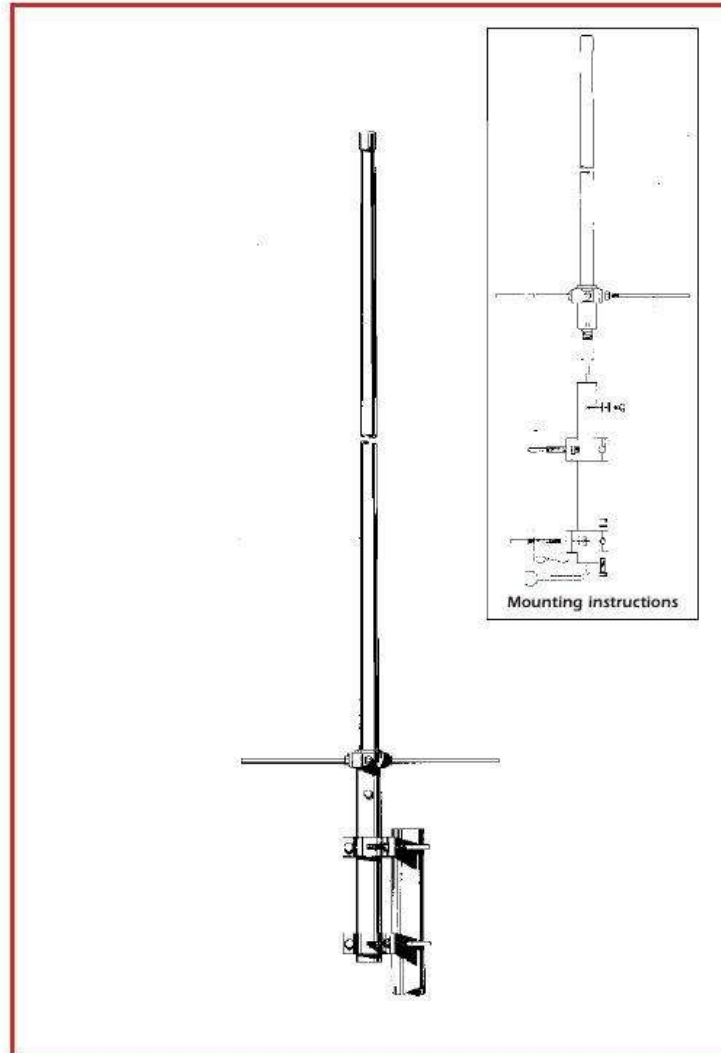
Type	VHF 6/8 λ, UHF 3 x 5/8 λ Colinear
Design frequency	
VHF	145 MHz
UHF	435 MHz
Impedance	50 Ω Unbalanced
Radiation (H-plane)	360° Omnidirectional
Radiation (E-plane)	
VHF	Beamwidth at -3 dB = 61°
UHF	Beamwidth at -3 dB = 30°
Radiation angle deg.	0°
Polarization	Vertical
Gain	
VHF	2 dBd - 4.15 dBi
UHF	4.2 dBd - 6.35 dBi
Bandwidth at V.S.W.R. 2:1	
VHF	6 MHz
UHF	17.2 MHz
V.S.W.R. at res. freq.	≤ 1.2 : 1
Max Power	200 Watts
Feed System / Position	Transformer DC-ground/ Base
Connection	N-Female Gold Plated

Mechanical Data

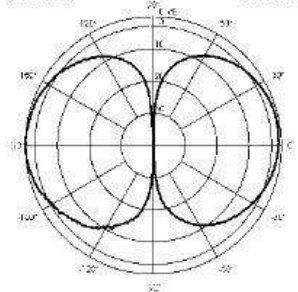
Materials	Glass Fibre, Aluminium, Stainless Steel, Brass
Wind Load / Resistance	56 N at 150 Km/h / 180 Km/h
Wind Surface	0.05 m ²
Height (approx.)	1780 mm
Weight (approx.)	900 gr
Radial length	170 mm
Mounting Mast	∅ 35-54 mm

code 2103420.00

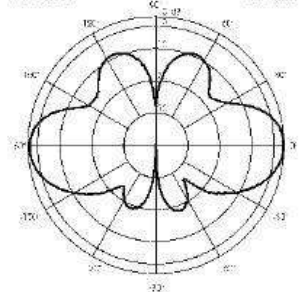
SA 270 MN is available for USA ham band (146 & 445 MHz)



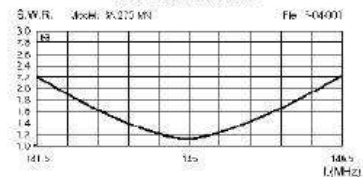
TYPICAL RADIATION PATTERN in E-plane of 145 MHz
(Γ_{ref} : 04 000) Scale: linear



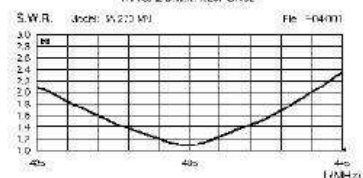
TYPICAL RADIATION PATTERN in E-plane of 435 MHz
(Γ_{ref} : 04 000) Scale: linear



TYPICAL S.W.R. RESPONSE



TYPICAL S.W.R. RESPONSE



SA 270 LN

Features:

- # Base station antenna, Omnidirectional
- # Dual-band
- # VHF Medium-gain, UHF High-gain
- # Protection from static discharges DC-Ground
- # Stainless steel hardware and radials
- # Fiberglass whip made of two conic sections joined by ABS parts for distortion free radiation diagram
- # High quality whip made of brass and copper protected by fiberglass tube

Specifications

Electrical Data

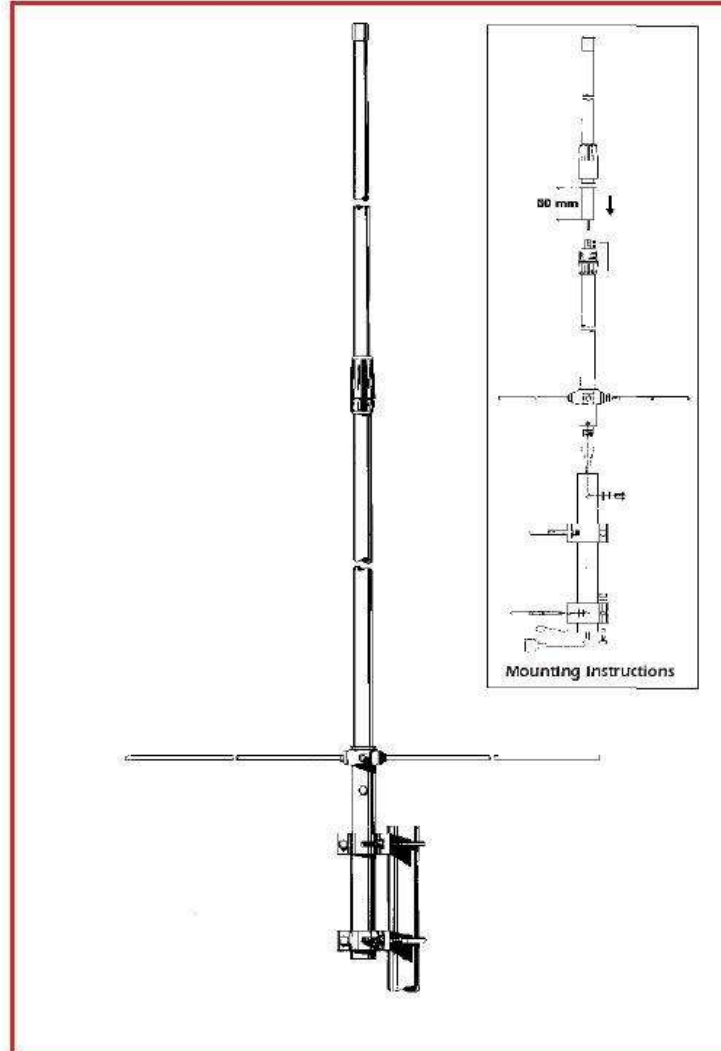
Type	VHF 2 x 5/8 λ, Colinear, UHF 5 x 5/8 λ, Colinear
Design frequency	
VHF	145 MHz
UHF	435 MHz
Impedance	50 Ω Unbalanced
Radiation (H-plane)	360° Omnidirectional
Radiation (E-plane)	
VHF	Beamwidth at -3 dB = 39°
UHF	Beamwidth at -3 dB = 22°
Radiation angle deg.	VHF 0°, UHF -4°
Polarization	Vertical
Gain	
VHF	3.2 dBd - 5.35 dBi
UHF	5.8 dBd - 7.95 dBi
Bandwidth at V.S.W.R. 2:1	
VHF	3.4 MHz
UHF	18.6 MHz
V.S.W.R. at res. freq.	
VHF	≤ 1.3 : 1
UHF	≤ 1.2 : 1
Max Power	200 Watts
Feed System / Position	Transformer DC-ground/ Base
Connection	N-Female Gold Plated

Mechanical Data

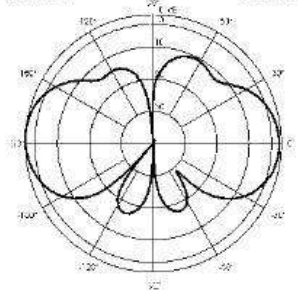
Materials	Glass Fibre, Aluminium, Stainless Steel, Brass
Wind Load / Resistance	81 N at 150 Km/h / 160 Km/h
Wind Surface	0.07 m ²
Height (approx.)	2790 mm
Weight (approx.)	1250 gr
Radial length	495 mm
Mounting Mast	∅ 35-54 mm

code 2106520.00

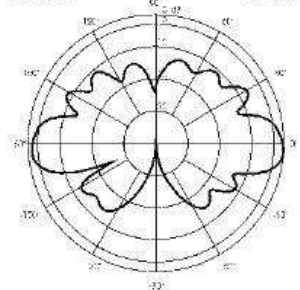
SA 270 LN is available for USA ham band (146 & 445 MHz)



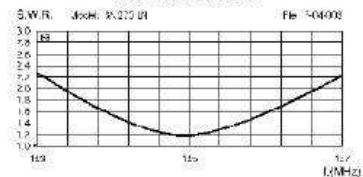
TYPICAL RADIATION PATTERN in E-plane of 145 MHz
Γ_{ref} : 01.000 Scale: linear



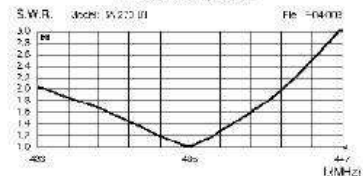
TYPICAL RADIATION PATTERN in E-plane of 435 MHz
Γ_{ref} : 01.000 Scale: linear



TYPICAL S.W.R. RESPONSE



TYPICAL S.W.R. RESPONSE



SM 62 SMA 62

Features:

- # Mobile antenna, Dual-band
- # Omnidirectional
- # 6m band Unity-gain, 2m band Low-gain
- # SM 62 Black fiberglass conic whip
- # SMA 62 17/7 PH tapered stainless steel whip
- # 180° inclination and adjustable whip, detachable for car-washes access
- # Black chrome version available
- # Wide range of optional mounting bases available
- # Magnetic mount version available

Specifications

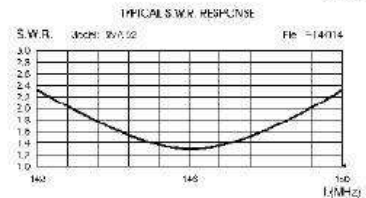
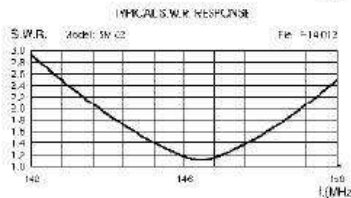
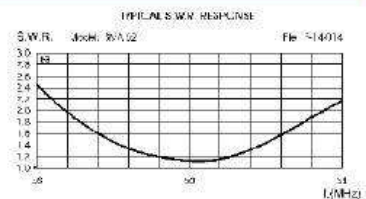
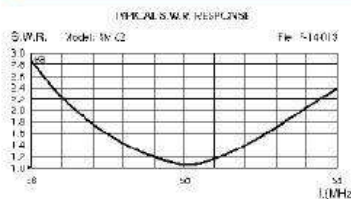
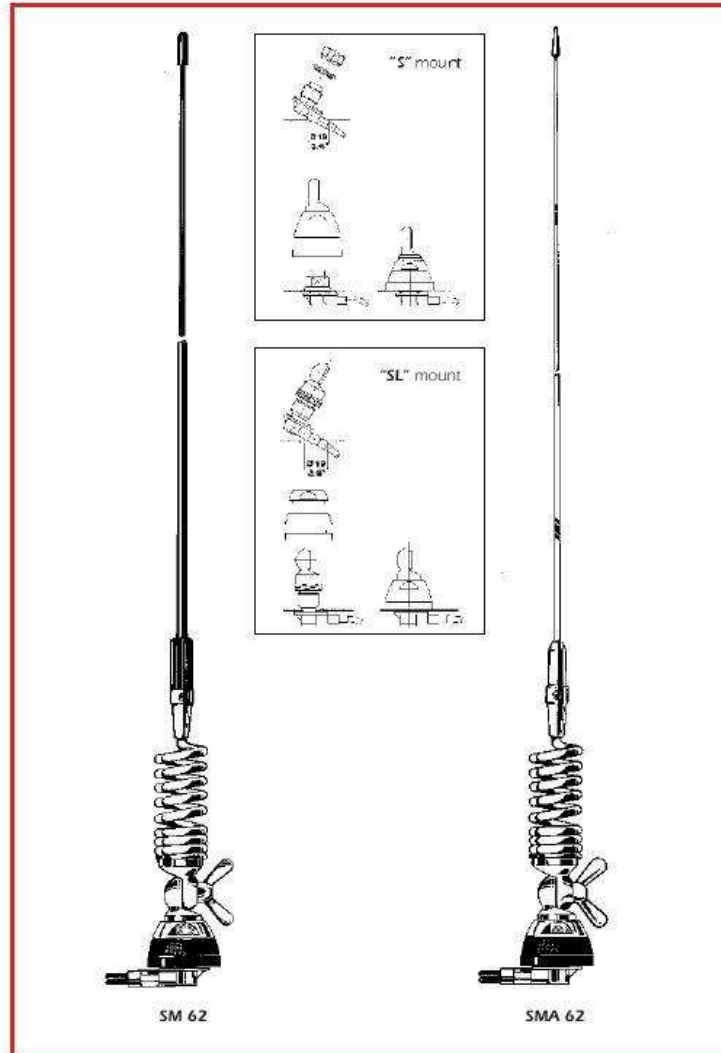
Electrical Data

Type	
6 m band	1/4 λ, Base Loaded
2 m band	5/8 λ
Design frequency	
6 m band	50 MHz
2 m band	146 MHz
Impedance	50 Ω Unbalanced
Radiation (H-plane)	360° Omnidirectional
Polarization	Vertical
Gain	
6 m band	0 dB ref. to λ/4 whip
2 m band	1.5 dB ref. to λ/4 whip
Bandwidth at V.S.W.R. 2:1	
SM 62	6 m band 6 MHz, 2 m band 5.5 MHz
SMA 62	6 m band 6.5 MHz, 2 m band 6 MHz
V.S.W.R. at res. freq.	
SM 62	≤ 1.2: 1
SMA 62	≤ 1.3: 1
Max Power	100 Watts
Feed System / Position	Transformer / Base
Standard Mount	"S"
Cable Length / Type	5 m / RG 58

Mechanical Data

Materials	
SM 62	Glass Fibre, Stainless Steel, Nylon
SMA 62	Stainless Steel 17/7 PH, Chromed Brass, Nylon
Height (approx.)	
SM 62	1290 mm
SMA 62	1390 mm
Weight (approx.)	550 gr
Mounting Hole	∅ 19 mm

code 2214424.28	SM 62	S mount
code 2214424.32	SM 62	SL mount
code 2214405.28	SMA62	S mount
code 2214405.32	SMA62	SL mount



SG-CB/VHF

Features:

- # Mobile antenna, Dual-band
- # Unity-gain, Omnidirectional
- # 17/7 PH tapered stainless steel whip
- # 90° tiltable whip and detachable for car-washes access
- # Wide range of optional mounting bases available

Specifications

Electrical Data

Type HF 1/4 λ, Central Loaded, VHF 1/4 λ
 Design frequency HF 27 MHz, VHF 145 MHz
 Impedance 50 Ω Unbalanced
 Radiation (H-plane) 360° Omnidirectional
 Polarization Vertical
 Gain 0 dB ref. to λ/4 whip
 Bandwidth at V.S.W.R. 2:1 HF 1.1 MHz, VHF 12 MHz
 V.S.W.R. at res. freq. ≤ 1.3: 1
 Max Power HF 120 Watts, VHF 200 Watts
 Feed System / Position C-match / Base
 Connector Type UHF-Male

Mechanical Data

Materials ... Stainless Steel 17/7 PH, Chromed Brass, Nylon
 Height (approx.) 1355 mm
 Weight (approx.) 330 gr

code 2213105.05 SG-CB/VHF

HP 2070

Features:

- # Mobile antenna, Dual-band
- # Omnidirectional
- # VHF band Unity-gain, UHF band Low-gain
- # Protection from static discharges DC-Ground
- # 17/7 PH stainless steel cylindrical whip
- # 90° tiltable whip and detachable for car-washes access
- # Wide range of optional mounting bases available

Specifications

Electrical Data

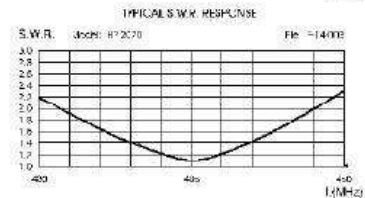
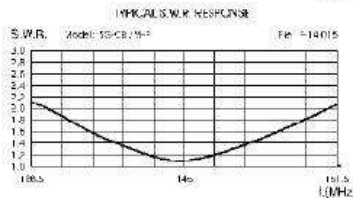
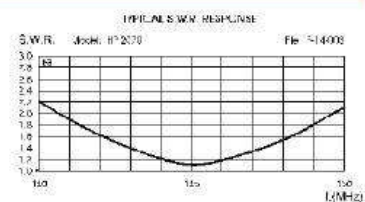
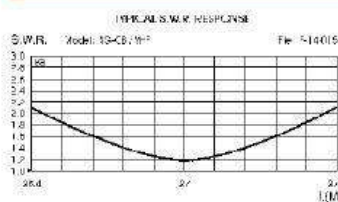
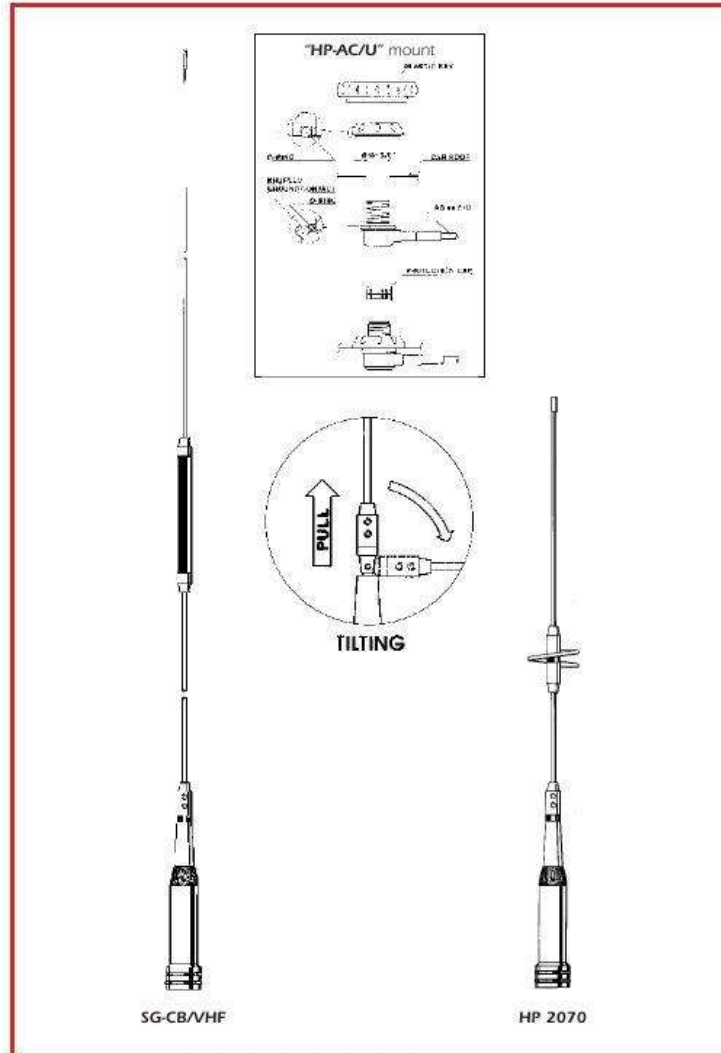
Type VHF 1/4 λ; UHF 5/8 λ
 Design frequency VHF 145 MHz, UHF 435 MHz
 Impedance 50 Ω Unbalanced
 Radiation (H-plane) 360° Omnidirectional
 Polarization Vertical
 Gain VHF 0 dB, UHF 2 dB ref. to λ/4 whip
 Bandwidth at V.S.W.R. 2:1 VHF 10 MHz, UHF 25 MHz
 V.S.W.R. at res. freq. ≤ 1.5: 1
 Max Power VHF 150 Watts, UHF 100 Watts
 Feed System / Position Transformer DC-Ground / Base
 Connector Type UHF-Male

Mechanical Data

Materials ... Stainless Steel 17/7 PH, Chromed Brass, Nylon
 Height (approx.) 445 mm
 Weight (approx.) 270 gr

code 2210305.05 HP 2070

HP 2070 is available for USA ham band (146 & 445 MHz)



HP 2070 H HP 2070 R

Features:

- # Mobile antenna, Dual-band
- # Omnidirectional
- # VHF band Low-gain, UHF band High-gain
- # Protection from static discharges DC-Ground
- # 17/7 PH stainless steel cylindrical whip
- # 90° tiltable whip and detachable for car-washes access
- # Wide range of optional mounting bases available

Specifications

Electrical Data

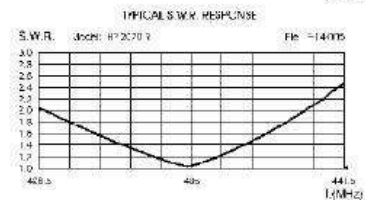
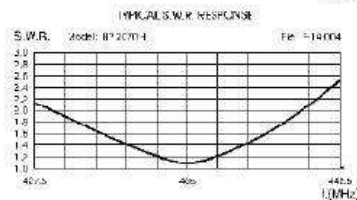
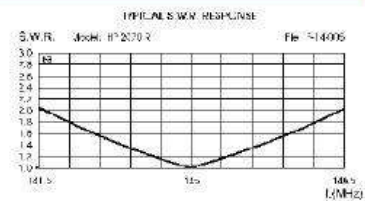
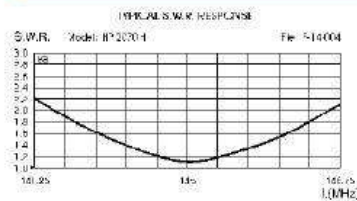
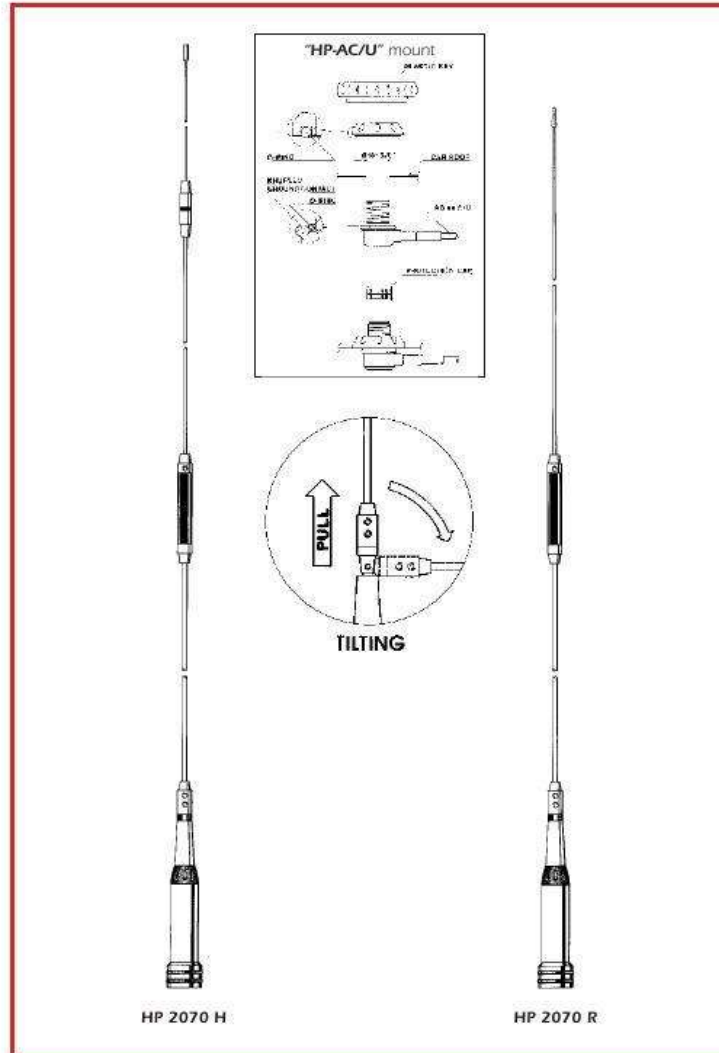
Type VHF 1/2 λ ; UHF 2x5/8 λ, Colinear
 Design frequency VHF 145 MHz, UHF 435 MHz
 Impedance 50 Ω Unbalanced
 Radiation (H-plane) 360° Omnidirectional
 Polarization Vertical
 Gain
 HP 2070 H VHF 0.7 dB, UHF 4.4 dB ref. to λ/4 whip
 HP 2070 R VHF 0.6 dB, UHF 4.6 dB ref. to λ/4 whip
 Bandwidth at V.S.W.R. 2:1
 HP 2070 H VHF 6.8 MHz, UHF 12.3 MHz
 HP 2070 R VHF 6.8 MHz, UHF 11.2 MHz
 V.S.W.R. at res. freq. ≤ 1.2:1
 Max Power VHF 150 Watts, UHF 100 Watts
 Feed System / Position Transformer DC-Ground / Base
 Connector Type UHF-Male

Mechanical Data

Materials .. Stainless Steel 17/7 PH, Chromed Brass, Nylon
 Height (approx.)
 HP 2070 H 1080 mm
 HP 2070 R 995 mm
 Weight (approx.)
 HP 2070 H 330 gr
 HP 2070 R 300 gr

code 2210405.05 HP 2070 H
 code 2210705.05 HP 2070 R

Both models available for USA ham band (146 & 445 MHz)





"S" Mount Type
 Frequency Range: from DC to 300 MHz
 Overall Size: \varnothing 42 mm
 Mounting Hole: \varnothing 19 mm
 "S" Chrome 2501002.01
 "S" Black 2501002.02



"SL" Mount Type
 Frequency Range: from DC to 500 MHz
 Overall Size: \varnothing 39 mm
 Mounting Hole: \varnothing 19 mm
 "SL" Chrome 2501102.01
 "SL" Black 2501102.02



"SL-S" Mount Type
 Frequency Range: from DC to 500 MHz
 Overall Size: \varnothing 39 mm
 Mounting Hole: \varnothing 19 mm
 "SL-S" Black 2501102.04



"ML" Mount Type
 Frequency Range: from DC to 1000 MHz
 Overall Size: \varnothing 30mm
 Mounting Hole: \varnothing 14 or 18 mm
 "ML" 2501202.06



"ABN" Trunk Mount
 Fixing Hole: \varnothing 16 mm
 Material: Painted Steel
 ABN 2504105.00



"TRUNK TOP 2" Mount
 DV/PL Chrome 2504406.12
 DV/PL Black 2504407.13
 PL-3/8 Chrome 2504406.14
 PL-3/8 Black 2504407.14



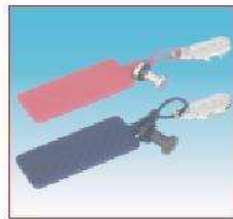
"KF" Gutter Mount
 Fixing Hole: \varnothing 16 mm
 Material: Painted Zinc
 KF Black 2504205.00
 KF Black 3/8 + PL + Cable 2504205.03



"Screw & Bolt"
 Materials: Brass and Zinc, Chrome plated
 Chrome 2506206.00
 Black 2506207.00



"Wing Bolt"
 Materials: Brass, Chrome plated
 Chrome 2506306.00
 Black 2506307.00



"Safety Set"
 Materials: Brass and Zinc, Chrome plated
 Chrome 2506506.00
 Black 2506507.00



"FT-2" Fixing Bracket
 Top Size: \varnothing 38 mm for antenna fitting
 Bottom Size: \varnothing 45/50 mm for fitting on the mast
 Weight (approx.): 1100 gr
 Material: Galvanized Steel
 FT-2 Universal 2510004.00



"FT-3" Fixing Bracket
 Top Size: \varnothing 30 mm for antenna fitting
 Bottom Size: \varnothing 35/54mm for fitting on the mast
 Weight (approx.): 350 gr
 Material: Anodized aluminium, Stainless steel
 FT-3 2511301.00



"M-1" Marine Bracket
 Dimension L x W x H: 38 x 64 x 98 mm
 Weight (approx.): 120 gr
 Material: Stainless Steel
 M-1 Marine Bracket 2503503.00



"M-3" Marine Mount
 Connection: standard 1"x14 threads
 Dimension L x W x H: 60 x 95 x 130 mm
 Weight (approx.): 860 gr
 Materials: Chromed Brass, Stainless steel hardware
 M-3 OT Marine Mount 2503606.00



"M-8" Marine Mount
 Connection: standard 1"x14 threads
 Dimension L x W x H: 70 x 105 x 130 mm
 Weight (approx.): 250 gr
 Materials: Nylon, Stainless steel hardware
 M-8 NY Marine Mount 2503301.00



"M-10" Marine Mount
 Connection: standard 1"x14 threads
 Fixing diameter: 1"
 Weight (approx.): 600 gr
 Materials: Chromed Brass, Stainless steel hardware
 M-10 OT Marine Mount 2503406.00



"MAG H 12" Magnet Mount

MAG H 12 PL	2502502.05
MAG H 12 S	2502502.01
MAG H 12 S Black	2502502.02
MAG H 12 3/8	2502502.03



"MAG 125" Magnet Mount

MAG 125 PL	2502602.05
MAG 125 S	2502602.01
MAG 125 S Black	2502602.02
MAG 125 3/8	2502602.03



"MAG 145" Magnet Mount

MAG 145 PL	2502702.05
MAG 145 S	2502702.01
MAG 145 S Black	2502702.02
MAG 145 3/8	2502702.03



"MAG 160" Magnet Mount

MAG 160 PL	2502802.05
MAG 160 S	2502802.01
MAG 160 S Black	2502802.02
MAG 160 3/8	2502802.03



"HP MAG H 12 PL" Magnet Mount

Frequency Range: from DC to 500 MHz
Materials: Nylon, Chromed brass, Teflon insulator, Gold plated pin, 3.6m RGS8C/U MILC17
HP MAG H 12 PL 2511802.05



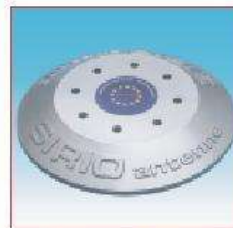
"HP MAG 125 PL" Magnet Mount

Frequency Range: from DC to 500 MHz
Materials: Nylon, Chromed brass, Teflon insulator, Gold plated pin, 3.6m RGS8C/U MILC17
HP MAG 125 PL 2511202.05



"HP-AC/U" Angular Connector

Frequency Range: from DC to 500 MHz
Materials: Brass nichel plated, Teflon insulator, Gold plated pin, 5m RGS8 C/U MIL C17
HP-AC/U + Cable 2510805.05



"Antennas Display"

Materials: Painted Zinc with rubber gasket
Fixing Hole: 8 x Ø 12.5 mm
DISPLAY 2508008.00



Wall Antennas Dispenser

Dimension L x H : 140 x 190 mm
Materials: Aluminium, Painted steel
Wall antennas dispenser 32.0002



SMA-male

Crimp type for RG 58, CO 100 30.SMA001.00
Crimp type for RG 174, RG 316 30.SMA002.00



SMA-female

Crimp type for RG 58, CO 100 30.SMA003.00
Crimp type for RG 174, RG 316 30.SMA004.00



BNC-male

Crimp type for RG 58, CO 100 30.BNCO01.00



TNC-male

Crimp type for RG 58, CO 100 30.TNCO01.00



N-male

Crimp type for RG 58, CO 100 30.N001.00



N-female

Crimp type for RG 58, CO 100 30.N002.00



FME-male

Crimp type for RG 58, CO 100 30.FME001.00
Crimp type for RG 174, RG 316 30.FME005.00



FME-female

Crimp type for RG 58, CO 100 30.FME002.00
Crimp type for RG 174, RG 316 30.FME003.00



FME-m / UHF-m adaptor

Code 30.AD002.00



FME-m / Mini UHF-m adaptor

Code 30.AD004.00



FME-m / BNC-m adaptor

Code 30.AD005.00



FME-m / N-m adaptor

Code 30.AD006.00

COAXIAL CABLES Data

Type	Impedance	External diameter	Color
RG 58 C/U	50 Ω	4.95 mm	Black
CO 100	50 Ω	4.95 mm	White
RG 174	50 Ω	2.8 mm	Black
RG 316/U	50 Ω	2.5 mm	Brown

Attenuation dB for 100 m

Freq. Cable	25 MHz	50 MHz	100 MHz	200 MHz	300 MHz	400 MHz	500 MHz	800 MHz	1 GHz	1.6 GHz	1.8 GHz	2.0 GHz	2.2 GHz	2.4 GHz	2.5 GHz	3.0 GHz
RG 58 C/U	7	10	15	21	26	30	34	44	50	66	70	76	78	86	87	98
CO 100	5	7	10	14	17	20	23	29	33	42	45	48	50	53	54	60
RG 174	13	18	27	39	48	56	64	84	95	124	133	141	150	159	162	184
RG 316/U	12	17	26	38	47	55	62	80	91	118	126	134	141	149	152	169